

TRIM LINE

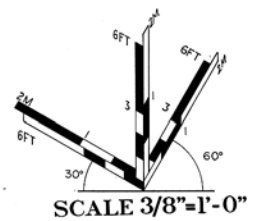
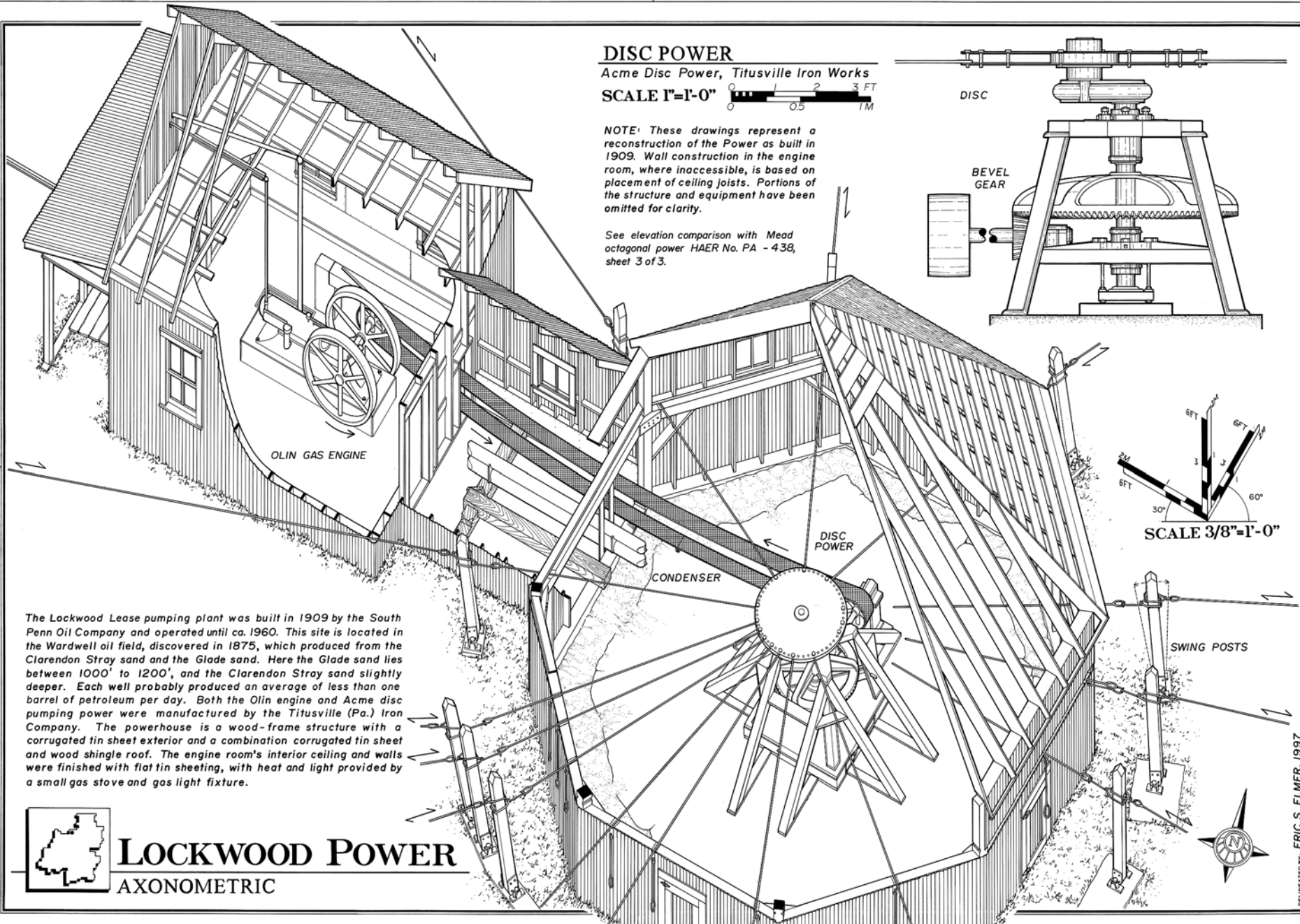
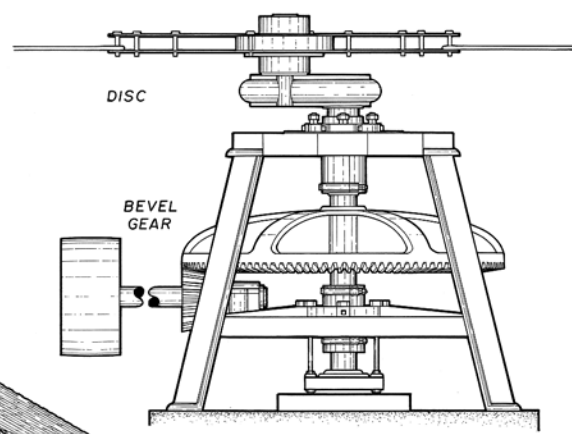
DISC POWER

Acme Disc Power, Titusville Iron Works

SCALE 1"=1'-0" 

NOTE: These drawings represent a reconstruction of the Power as built in 1909. Wall construction in the engine room, where inaccessible, is based on placement of ceiling joists. Portions of the structure and equipment have been omitted for clarity.

See elevation comparison with Mead octagonal power HAER No. PA - 438, sheet 3 of 3.



The Lockwood Lease pumping plant was built in 1909 by the South Penn Oil Company and operated until ca. 1960. This site is located in the Wardwell oil field, discovered in 1875, which produced from the Clarendon Stray sand and the Glade sand. Here the Glade sand lies between 1000' to 1200', and the Clarendon Stray sand slightly deeper. Each well probably produced an average of less than one barrel of petroleum per day. Both the Olin engine and Acme disc pumping power were manufactured by the Titusville (Pa.) Iron Company. The powerhouse is a wood-frame structure with a corrugated tin sheet exterior and a combination corrugated tin sheet and wood shingle roof. The engine room's interior ceiling and walls were finished with flat tin sheeting, with heat and light provided by a small gas stove and gas light fixture.



LOCKWOOD POWER

AXONOMETRIC

DESIGNED BY: ERIC S. ELMER, 1997

ALLEGHANY NATIONAL FOREST
OIL AND GAS SUBJECT

WARREN VICINITY

LOCKWOOD POWER - 1909

WARREN COUNTY

PENNSYLVANIA

HISTORIC AMERICAN ENGINEERING RECORD
PA - 439

IF REPRODUCED, PLEASE CREDIT: HISTORIC AMERICAN ENGINEERING RECORD, NATIONAL PARK SERVICE, NAME OF DELINEATOR, DATE OF THE DRAWING

TRIM LINE